

BAT54 thru BAT54S

Features

- Low Forward Voltage
- Surface Mount SOT-23 Package
- Capable of 230mWatts of Power Dissipation

Microsemi Catalog Number	Device Marking	Type	Pin Configuration
BAT54	L4P	Single	Figure 1
BAT54A	L42	Dual	Figure 4
BAT54C	L43	Dual	Figure 2
BAT54S	L44	Dual	Figure 3

Maximum Ratings

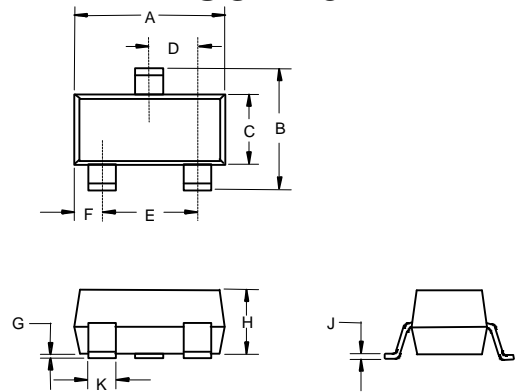
Continuos Reverse Voltage	V_R	30V
Repetitive Peak Forward Current	I_{FRM}	300mA
Non-Repetitive Peak Forward Current $t < 1s$	I_{FSM}	600mA
Total Power Dissipation @ $T_A = 25^\circ C$	P_D	230mW
Storage Temperature Range	T_{stg}	$-55^\circ C$ to $150^\circ C$
Junction Temperature	T_j	$125^\circ C$

Electrical Characteristics @ 25 °C Unless Otherwise Specified

Ratings	Symbol	Max.	Notes
Forward Voltage at $I_F = 0.1mA$ $I_F = 1mA$ $I_F = 10mA$ $I_F = 30mA$ $I_F = 100mA$	V_F	240mV 320mV 400mV 500mV 1000mV	
Reverse Current	I_R	2 uA	$V_R = 25V$
Reverse Breakdown Voltage	$V_{(BR)}$	>30V	
Capacitance	C_J	16pF	Measured at 1.0MHz, $V_R=1.0V$
Reverse Recovery Time	t_{rr}	5nS	$I_F=I_R=10mA$; $I_{(REC)} = 1mA$
Thermal Resistance, Junction to Ambient	$R_{\theta JA}$	160°C/W	

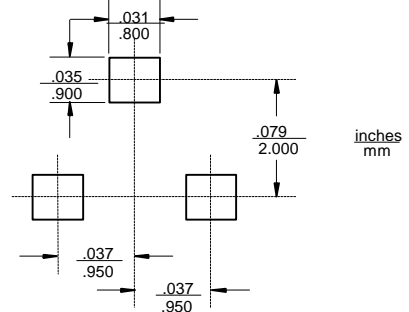
230mWatt, 30Volt Schottky Barrier Diode

SOT-23



DIM	INCHES		MM		NOTE
	MIN	MAX	MIN	MAX	
A	.110	.120	2.80	3.04	
B	.083	.098	2.10	2.64	
C	.047	.055	1.20	1.40	
D	.035	.041	.89	1.03	
E	.070	.081	1.78	2.05	
F	.018	.024	.45	.60	
G	.0005	.0039	.013	.100	
H	.035	.044	.89	1.12	
J	.003	.007	.085	.180	
K	.015	.020	.37	.51	

Suggested Solder Pad Layout



BAT54 thru BAT54S

